

**Material: Roller Cup: Case Hardened Steel**  
**Needle Rollers: 52100 Hardened Steel**  
**Bearing Cage: Hardened Steel**

\*\*Plastic or Steel Cages

ORDER BY CATALOG NUMBER

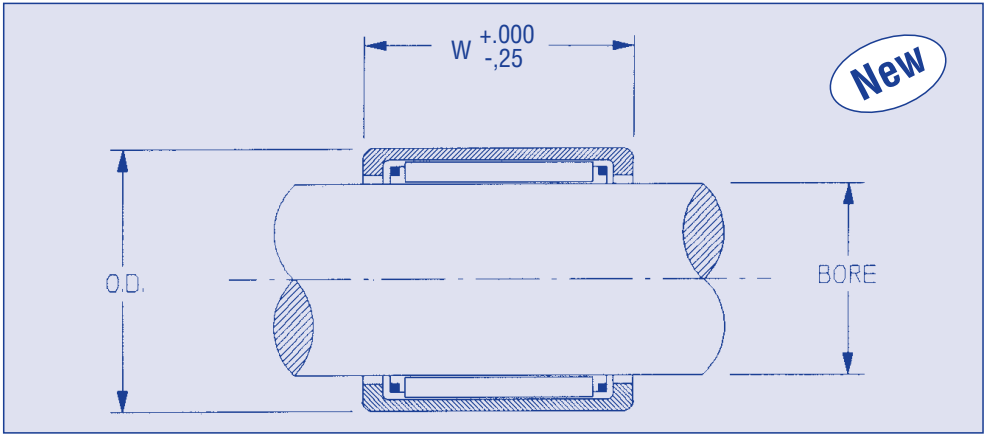
Catalog No.	Bore	Bearing O.D.	Housing Bore Dia.	Bearing Width	LOAD CAPACITIES		Shaft Diameter*
					Dynamic lbs	Static lbs	
ABX-X1-1 **	1/8	.2500	.2500-.2505	.250	161	80	.1250-.1247
ABX-X1-2 **	3/16	.3438	.3432-.3437	.250	335	185	.1875-.1872
ABX-X1-3 **	3/16	.3438	.3432-.3437	.375	540	345	.1875-.1872
ABX-X1-4	1/4	.4375	.4370-.4380	.250	315	162	.2500-.2495
ABX-X1-5	1/4	.4375	.4370-.4380	.438	800	540	.2500-.2495
ABX-X1-6	5/16	.5000	.4995-.5005	.312	570	350	.3125-.3120
ABX-X1-7	5/16	.5000	.4995-.5005	.562	1160	880	.3125-.3120
ABX-X1-8	3/8	.5625	.5620-.5630	.312	600	380	.3750-.3745
ABX-X1-9	3/8	.5625	.5620-.5630	.625	1440	1180	.3750-.3745
ABX-X1-10	1/2	.6875	.6870-.6880	.375	900	670	.5000-.4995
ABX-X1-11	1/2	.6875	.6870-.6880	.750	1930	1780	.5000-.4995
ABX-X1-12	5/8	.8125	.8120-.8130	.438	1290	1140	.6250-.6245
ABX-X1-13	5/8	.8125	.8120-.8130	.750	2360	2410	.6250-.6245
ABX-X1-14	3/4	1.0000	.9995-1.0005	.375	1390	1030	.7500-.7595
ABX-X1-15	3/4	1.0000	.9995-1.0005	.750	3000	2750	.75000-.7495
ABX-X1-16	1.0	1.2500	1.2495-1.2505	.500	2180	2060	1.000-.9995
ABX-X1-17	1.0	1.2500	1.2495-1.2505	1.000	4650	5200	1.000-.9995

\* Shafts sold separately. See hardened shafts, section A.

# NEEDLE ROLLER BEARINGS

Metric

A



**Material:** Roller Cup: Case Hardened Steel  
 Needle Rollers: 52100 Hardened Steel  
 Bearing Cage: Hardened Steel

**ORDER BY CATALOG NUMBER**

Catalog No.	Bore	Bearing O.D.	Housing Bore Dia.	Bearing Width	LOAD CAPACITIES		Max Speed RPM
					Dynamic lbs	Static lbs	
ABX-M3-1	3	6,5	6.481-6.496	6,0	1230	840	46,000
ABX-M3-2	4	8,0	7.981-7.996	8,0	1780	1310	41,000
ABX-M3-3	5	9,0	8.981-8.996	9,0	2400	1990	38,000
ABX-M3-4	6	10,0	9.981-9.996	9,0	2850	2600	35,000
ABX-M3-5	7	11,0	10.997-10.995	9,0	3100	2950	31,000
ABX-M3-6	8	12,0	11.977-11.995	10,0	3800	3950	28,000
ABX-M3-7	9	13,0	12.977-12.995	10,0	4250	4650	25,000
ABX-M3-8	10	14,0	13.977-13.995	10,0	4400	5100	23,000
ABX-M3-9	12	16,0	15.977-15.995	10,0	4950	6200	20,000
ABX-M3-10	13	19,0	18.972-18.993	12,0	6800	7900	18,000
ABX-M3-11	14	20,0	19.972-19.993	12,0	7100	8500	16,000
ABX-M3-12	15	21,0	20.972-20.993	12,0	7900	9400	16,000
ABX-M3-13	16	22,0	21.972-21.993	12,0	7600	9700	15,000
ABX-M3-14	17	23,0	22.972-22.993	12,0	7900	10,300	14,000
ABX-M3-15	18	24,0	23.972-23.993	12,0	8100	10,900	13,000
ABX-M3-16	20	26,0	25.972-25.993	12,0	8600	12,100	12,000
ABX-M3-17	22	28,0	27.972-27.993	12,0	9100	13,400	11,000
ABX-M3-18	25	32,0	31.967-31.992	12,0	11,000	15,200	10,000

\* Shafts sold separately. See hardened shafts, section A.

**NORDEX**

**(800) 243-0986**  
 In CT (203) 775-4877

**69A**